

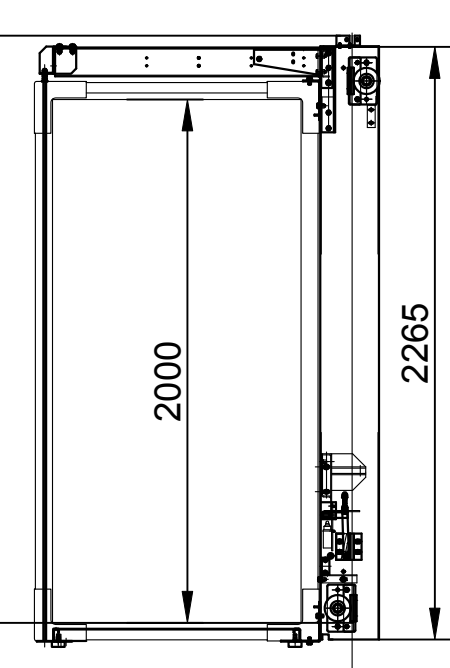
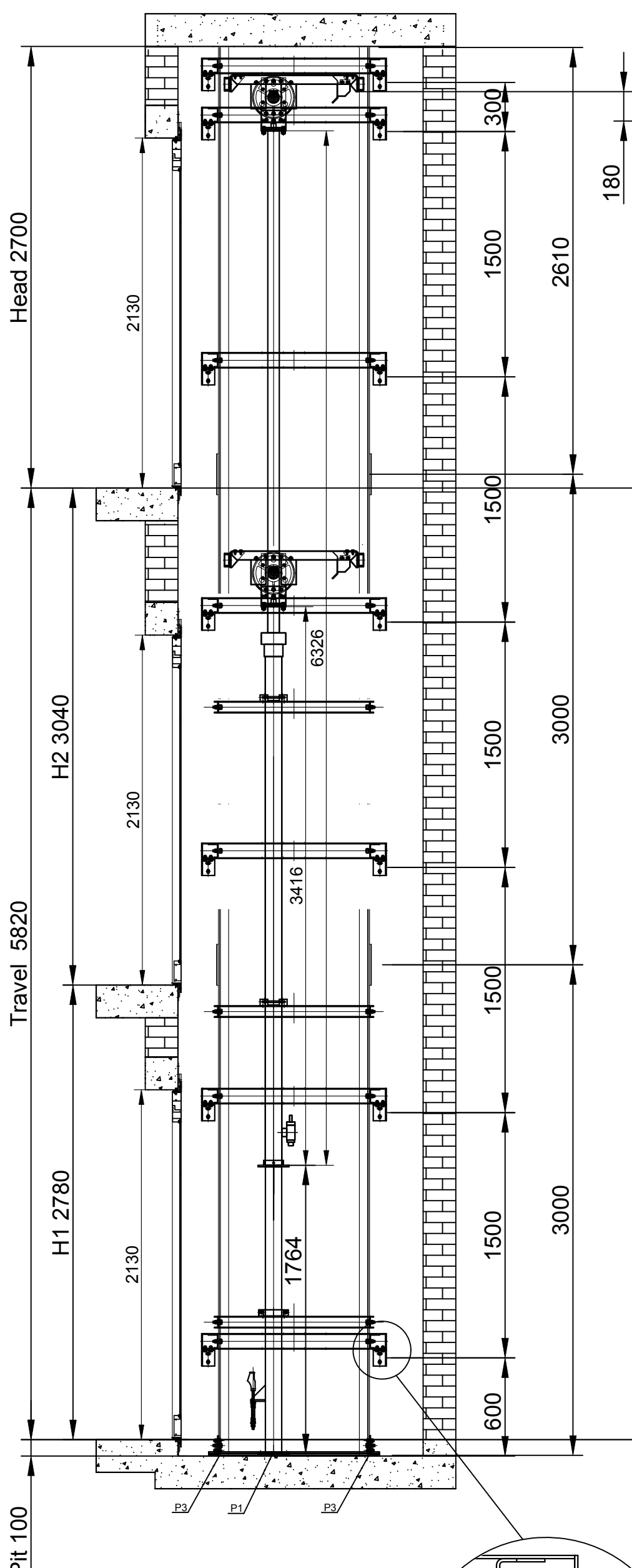
Shaft	Masonry / By Others	Ceiling	DBD-20 Polished silver
		Floor	By others 20mm 50kg
Load Capacity	320kg	Cop	DBK-02 Polished stainless
Speed	0.25m/s		

Car Frame	DBC-09
Left Wall	DBM-01
Right Wall	DBB-16
Rear Wall	DBB-16

Landing	W	H	Type	Hinge	Landing Door Decoration				
1st floor	P	950	2000	Standard	Right Axis	Frame	DBC-09 silver	Handle	Close
						Panel	DBM-01	DBL-20	DBQ-02
2nd floor	P	950	2000	Standard	Right Axis	Frame	DBC-09 silver	Handle	Close
						Panel	DBM-01	DBL-20	DBQ-02
3rd floor	P	950	2000	Standard	Right Axis	Frame	DBC-09 silver	Handle	Close
						Panel	DBM-01	DBL-20	DBQ-02

320kg hydraulic freedomlift

**LIFTSHOP**

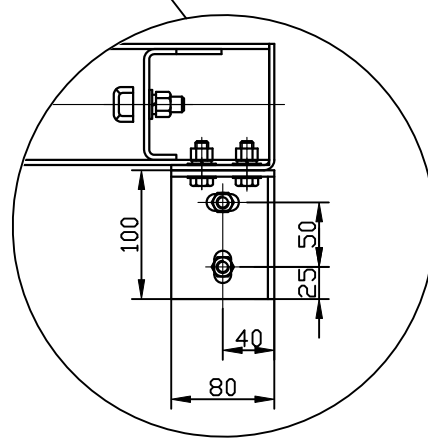
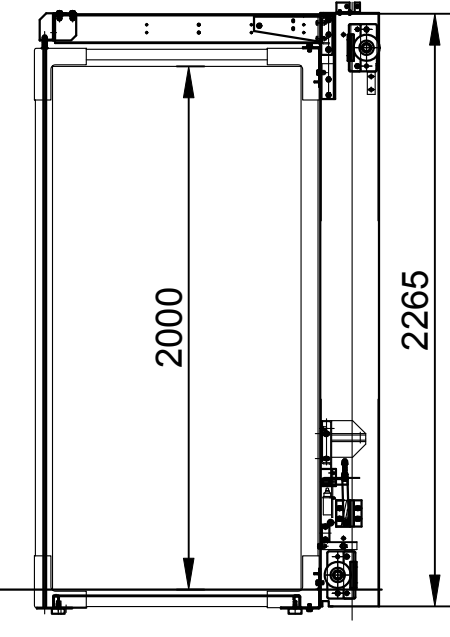


Hydraulic Unit	Type	3 F 3 S 3 D		1	240V,50HZ 30A
	Volume	T3010EN			
	Flux	HL			
	Power	35	L/min		
	Joint	2.9	Kw		
Recycle pipe	D = 8 mm,	L = 7 m		1	

80 x 5	Ram (Silver)	Type:	One stage teles copic		1
		Diameter:	φ = 80	mm	
		Travel:	= 3.1	m	
		Port:	3/4"		

N46#	Hydraulic oil	75 L
Supplied Locally		

Machine cabinet	Level 2	
Interface size	3/4"	Oil pipe length outside of shaft 2 m
From shaft side	Right	
Size	720 wide	480 deep 1400 high
Load	P1:11270N P2:7056N P3:9725N P4:5240N F1:1476N	



**SHOW ROOMS:**

NSW:  
1 / 75 Corish Circle  
Eastgardens NSW 2036  
T: (02) 9666 3939  
F: (02) 9666 3949

VIC:  
1/1 Belgium Ave  
Richmond, 3121  
T: (03) 9421 4222  
F: (03) 9421 4333

QLD:  
Building Ideas Centre, 66 Merivale St.  
South Bank, Brisbane  
T: (07) 3014 0633

WA:  
Home Base , 55 Salvado Rd.  
Subiaco, Perth  
T: (08) 9460 0666

Toll Free: 1800 440 714  
www.liftshop.com.au

320kg hydraulic freedomlift	
<b>LIFTSHOP</b>	
Date	2015.08.04