

**FINAL  
DRAWING**

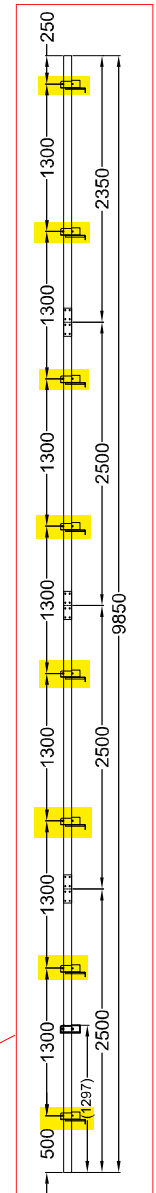
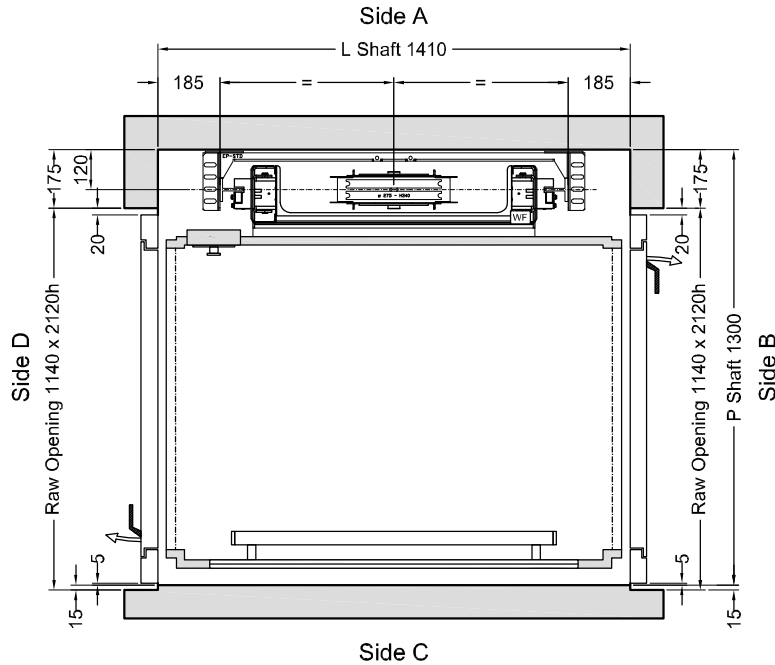
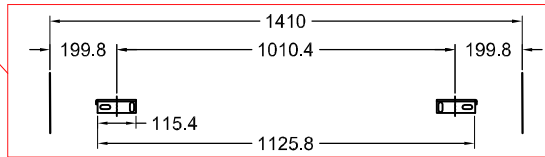
# Pit and raw door opening

ELECTRICAL DATA		THRUST DURING NORMAL OPERATION	
Motor (V)	MF230V-50Hz	P (N)	8909
Power (Kw)	2,9	N (N)	938
Nominal current (A)	17	F1 (N)	1285
		F2 (N)	296
		THRUST OF SAFETY DEVICE INTERVENT.	
		P (N)	13942
		N (N)	7304
		F1 (N)	2141
		F2 (N)	493

Direction of lift forces lateral and point loads

Lift force is described in Newtons

Location of rail brackets



Rail elevations with connection points

Shaft in **Masonry (Muratura)**

ORDER NUMBER	VERSIONS	Description	Designer	Date	Rev. Final Drawings	
					Model	SHEET
	1	Variante: Porte Fly RAL 9005 OpacoLiscio. Pulsantiera Flush in A/D; Corretto ingombro per pulsantiera; Porte Bucciate.	EP_SVI_03	21/12/2020	ELFO	1/3
			EP_SVI_03	18/12/2020		SHEET DIMENS. A3
	CLIENT	Lift Shop	Final Drawings	1° STESURA		SCALE 1:15
	PLACE OF INSTALLATION		CAPACITY	AREA m <sup>2</sup>	CAPACITY	
			300 kg	1,18		